

## Cylinder Pulls

### 4024, 4025

ANSI/BHMA Type E19231

#### ▼ Function

Designed for use with Adams Rite MS 1847 or 4035 deadlocks and latches, these surface mounted pulls allow a sliding glass door to be "keyed-in" with other types of doors which have key-in-knob or mortise cylinder locks.

4025 has mounting holes spaced to allow clearance around MS1847 lock mechanism for long through-the-stile mounting screws.

4024 is smaller and symmetrical, designed for mounting door pull or other trim plate. (Can be mounted directly on stile where lock mechanism is mounted on inside surface of stile rather than mortised).

#### ▼ Trim Finish

Zinc alloy housing. Ritecoat 130 finish is standard. See page SW-38 for other Ritecoat colors. Cylinders are Brass.

#### ▼ Cylinders Both Sides

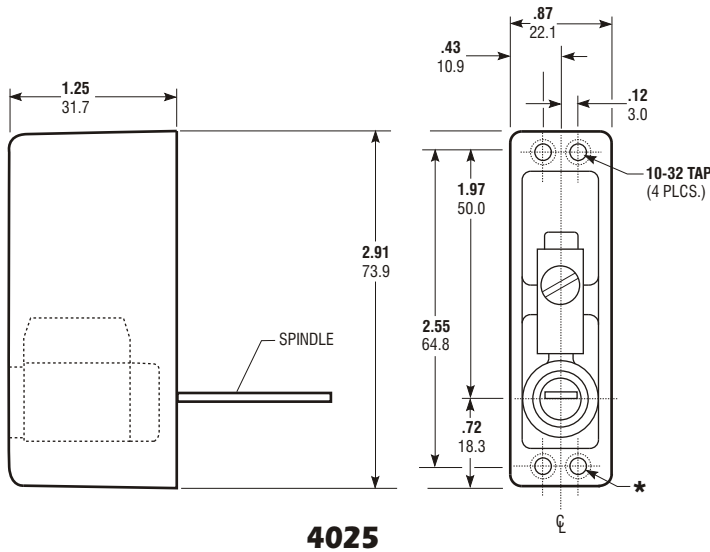
A pair of 4025 Cylinder Pulls can be mounted opposite each other with long machine screws as shown. Security is maintained since each side offers access to only one screwhead. Both screws would have to be removed to operate the lock without its key. Specify 4025 CYL x CYL. set.



# 4024, 4025 Cylinder Pulls

## DIMENSIONS

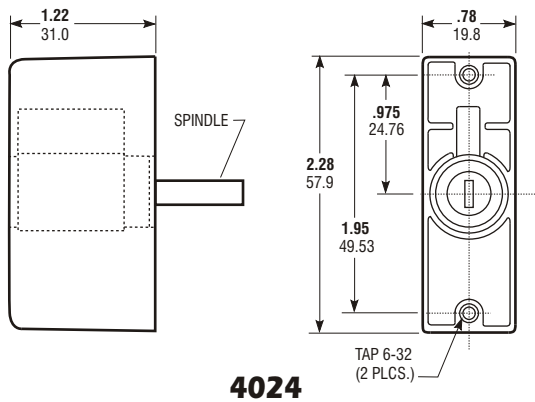
**INCHES**  
MILLIMETERS  
Nominal, subject to tolerance extremes.



**4025**

\* 4026, like 4025 but with mounting holes on centerline for use with 5017 lock available on high quantity order.

STANDARD PULLS	
PULL No.	CYLINDER INCLUDED:
4025	ADAMS RITE
4025-5	SCHLAGE 22-001
4025-6	WEISER KEYWAY



**4024**

## HOW TO ORDER

Specify quantity and the following information.  
Order related hardware separately.

Specify  
Pull Type  
(See Tables)

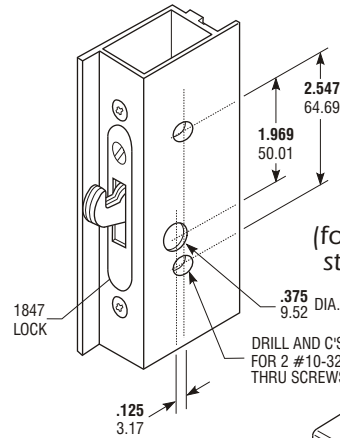
**PULL No. CYLINDER INCLUDED:**  
**4024-05** SCHLAGE "C" KEYWAY  
**4024-06** WEISER KEYWAY

**4024 - 05 - 130**

**Finish**

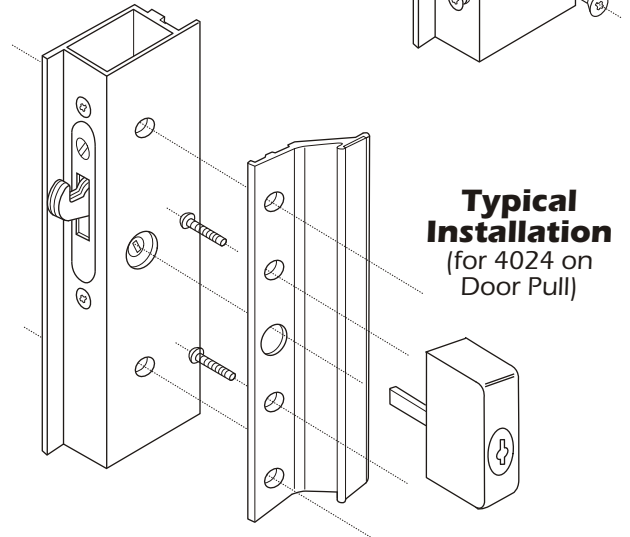
- 130** To match 628 Clear Anodized
- 121** To match 313 Dark Bronze Anod.
- 119** To match 335 Black Anodized

## INSTALLATION



**Stile Preparation**  
(for 4025 mounted directly on stile by two through-screws)

**Installation**  
(for 4025)



**Typical Installation**  
(for 4024 on Door Pull)

## OPTIONS

**CYLINDER MAKE:** Pulls available from stock with Schlage or Weiser Keyway cylinders. For 4025 with special keying of these makes or for any of the other makes listed above:  
**FURNISH PROPERLY KEYPED CYLINDER TO ADAMS RITE FOR MODIFICATION AND/OR INSTALLATION IN PULL.**